

- 1
- 2
- 3
- 4
- 5
- 6
- 7
- 8
- 9
- 10
- 11
- 12
- 13
- 14
- 15
- 16
- 17
- 18
- 19

**SPECIFICATION**

AISI 303 stainless steel **NI**  
 Matte shot-blasted finish **GS**

**HEXAGON NUTS**

Stainless Steel AISI 304

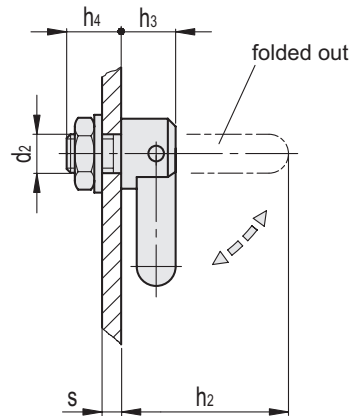
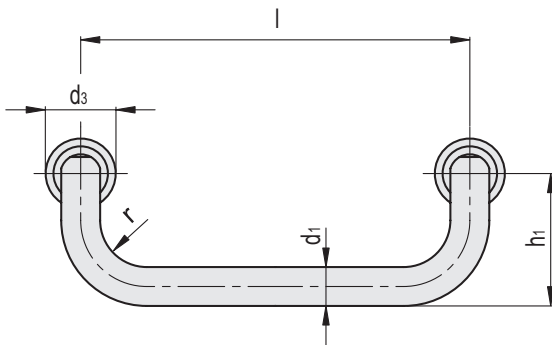
**WASHERS**

Stainless Steel AISI 304

**INFORMATION**

Folding handles GN 425.2 are used in places where the handle must not protrude or protrude only a short distance.

In both positions the handle is retained by a spring loaded detent.



Conversion Table	
1 mm = 0.039 inch	
d1	
mm	inch
6	0.23

Code	Description	d1	l±0.25	d2	d3	s	h1	h2	h3	h4	r	s max	Δ
GN.42522	GN 425.2-NI-6-55-GS	6	55*	M6	12	4	21	27.5	9.5	10	6	4	39
GN.42523	GN 425.2-NI-6-64-GS	6	64	M6	12	4	21	27.5	9.5	10	6	4	41
GN.42524	GN 425.2-NI-6-88-GS	6	88*	M6	12	4	21	27.5	9.5	10	6	4	47